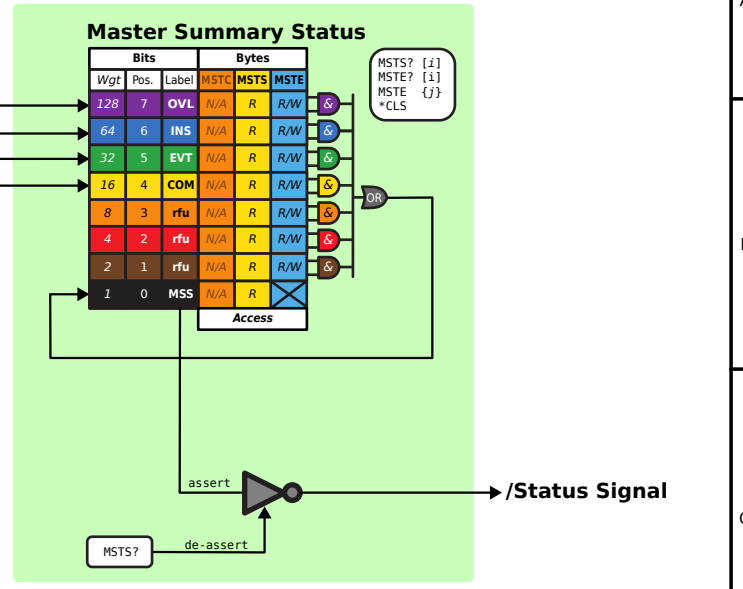


#### Legend

R/W	Read/Write value
R	Read-Only value
RFU	Reserved for future use
N/A	Not Applicable or Not Available



<b>Signals &amp; Systems for Physics</b> www.sisyphe.com		BP91406 31004 TOULOUSE FRANCE
Title/Name		Release
SK657 Gavarnie - Laser Current Controller		SK657-R2A
Description		
Status Register Model.		
Drawing No.		
SK657-SG01-P24A		
Sheet Size	Sheet No.	
A4	1 of 1	
APP'D By		
DRN By	GGB	24-05-21
Name		Date
		137-999-00
THIS DOCUMENT IS THE PROPERTY OF SISYPHE AND SHALL NOT BE REPRODUCED, DISTRIBUTED OR USED WITHOUT PRIOR WRITTEN PERMISSION FROM SISYPHE.		